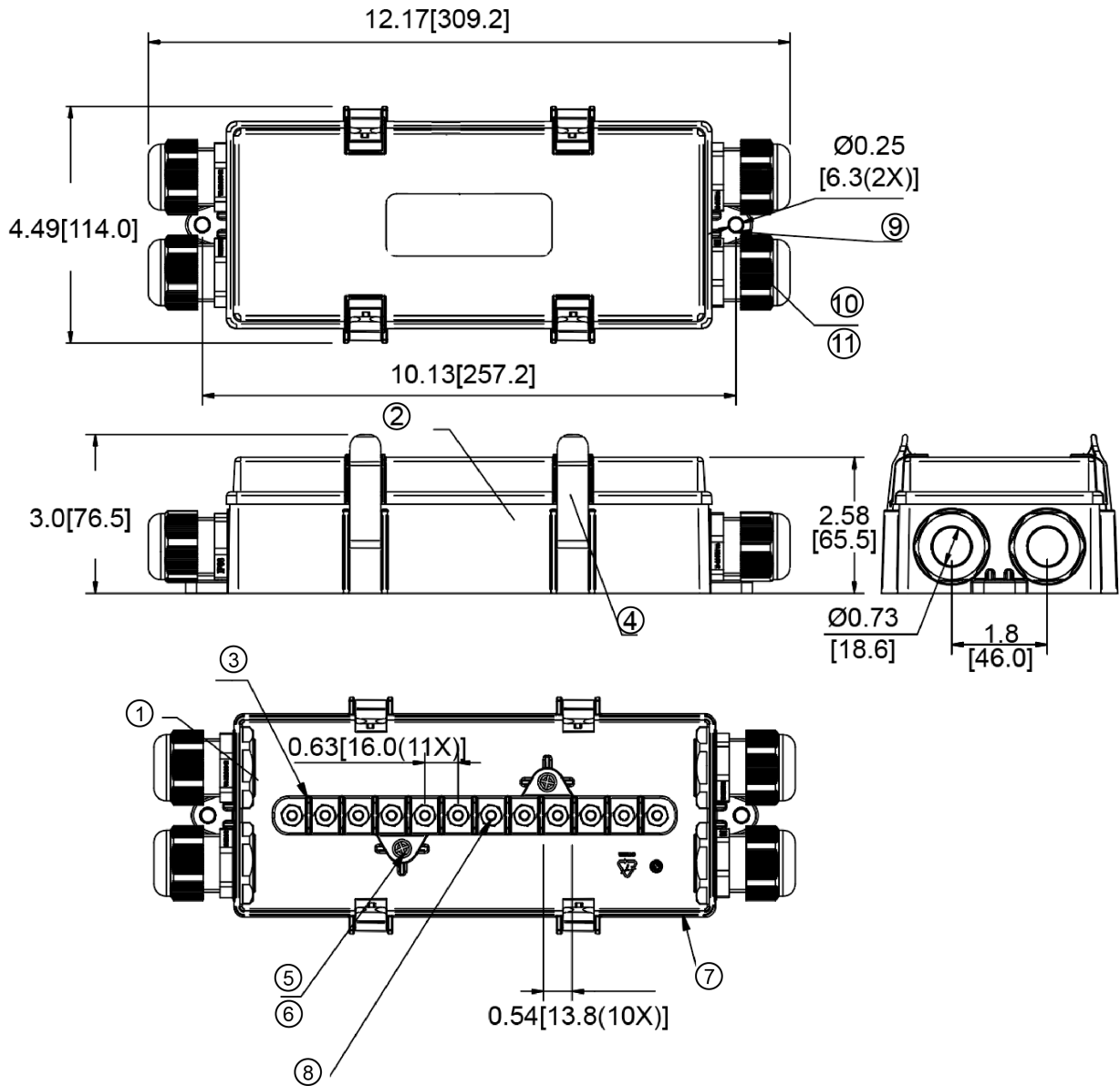


Mechanical Dimensions: Inches [mm]

Tolerances ± 0.012 [0.3] Unless Otherwise Specified



Specifications

Voltage Rating	125VAC/DC	Mounting Torque	6-8 Nm (M6 Bolt)
Current Rating (Per Pole)	30A	Ingress Protection	IPX5 (Per IEC60529)
Operation Temperature	-40°C ~ 85°C		
Terminal Torque	4 ± 1 Nm		
Terminal Flange Torque	8 ± 1 Nm		

Bill of Materials

Item #	Name (QTY)	Material
1	COVER	PC - Red
2	Housing	PC - Black
3	12P Base	PC - Black
4	Latch (4x)	POM - Yellow
5	ST Screw M4 (2x)	Stainless Steel
6	Washer (2x)	Stainless Steel
7	O-ring	NBR-70 Black
8	Base Stud #10-32UNC (12x)	Stainless Steel
9	Presser Limiter (2x)	C3604 Tin Plated
10	KSS EG-21 (4x)	NY PA66
11	KSS BPA175 (2x)	NY PA66

Rev	Date of issue	Revision Notes	Designed	Approved
C	02-23-2024	Add voltage and current rating	RC	OF