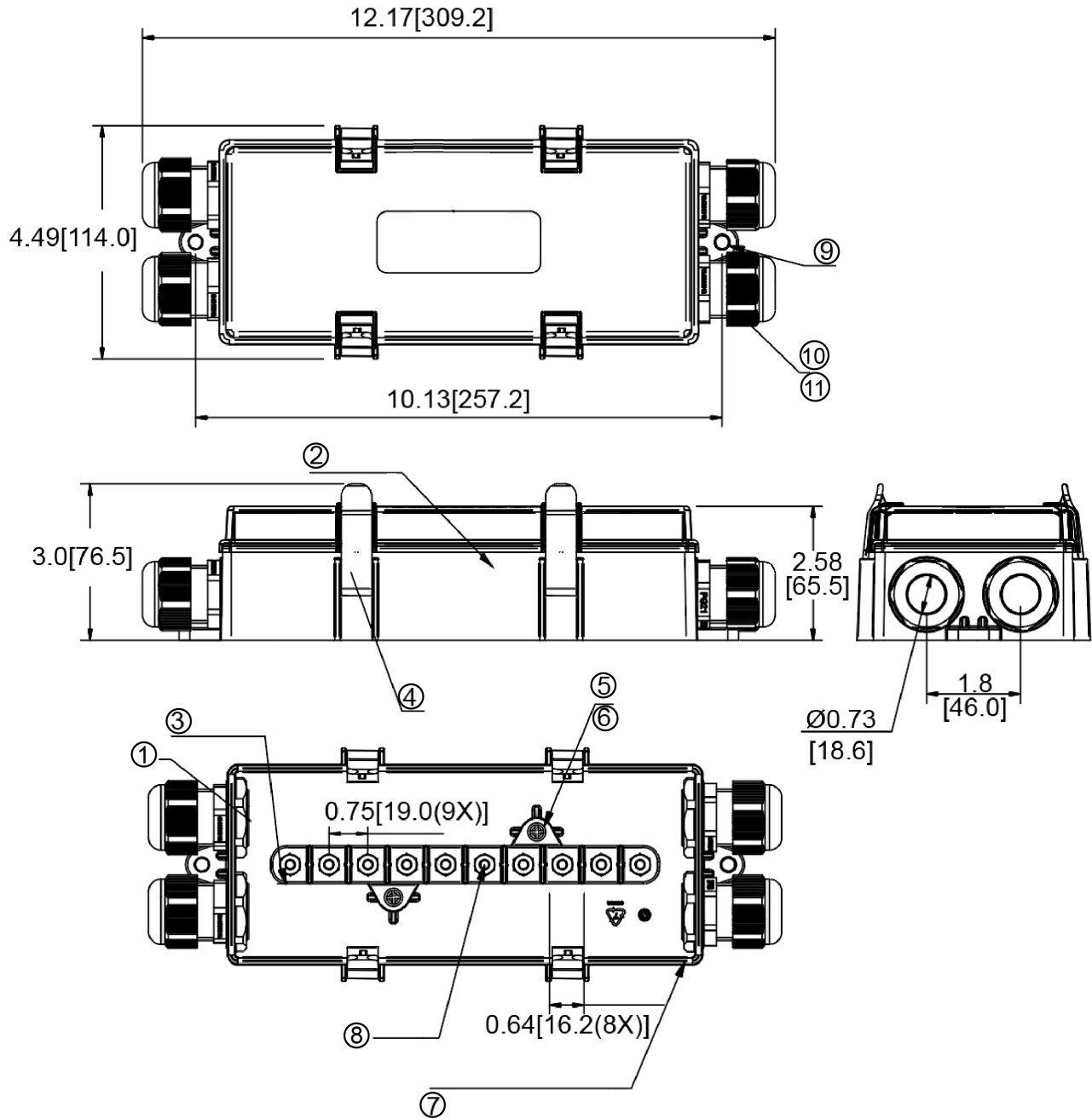


Mechanical Dimensions: Inches [mm]

Tolerances  $\pm 0.012$  [0.3] Unless Otherwise Specified



Specifications

<b>Voltage Rating</b>	125VAC/DC	<b>Mounting Torque</b>	6-8 Nm (M6 Bolt)
<b>Current Rating (Per Pole)</b>	30A	<b>Ingress Protection</b>	IPX5 (Per IEC60529)
<b>Operation Temperature</b>	-40°C ~ 85°C		
<b>Terminal Torque</b>	4 ± 1 Nm		
<b>Terminal Flange Torque</b>	8 ± 1 Nm		

**Bill of Materials**

Item #	Name (QTY)	Material
1	COVER	PC - Red
2	Housing	PC - Black
3	10P Base	PC - Black
4	Latch (4x)	POM - Yellow
5	ST Screw M4 (2x)	Stainless Steel
6	Washer (2x)	Stainless Steel
7	O-ring	NBR-70 Black
8	Base Stud #10-32UNC (10x)	Stainless Steel
9	Presser Limiter (2x)	C3604 Tin Plated
10	KSS EG-21 (4x)	NY PA66
11	KSS BPA175 (2x)	NY PA66

Rev	Date of issue	Revision Notes	Designed	Approved
C	02-23-2024	Add voltage and current rating	RC	OF