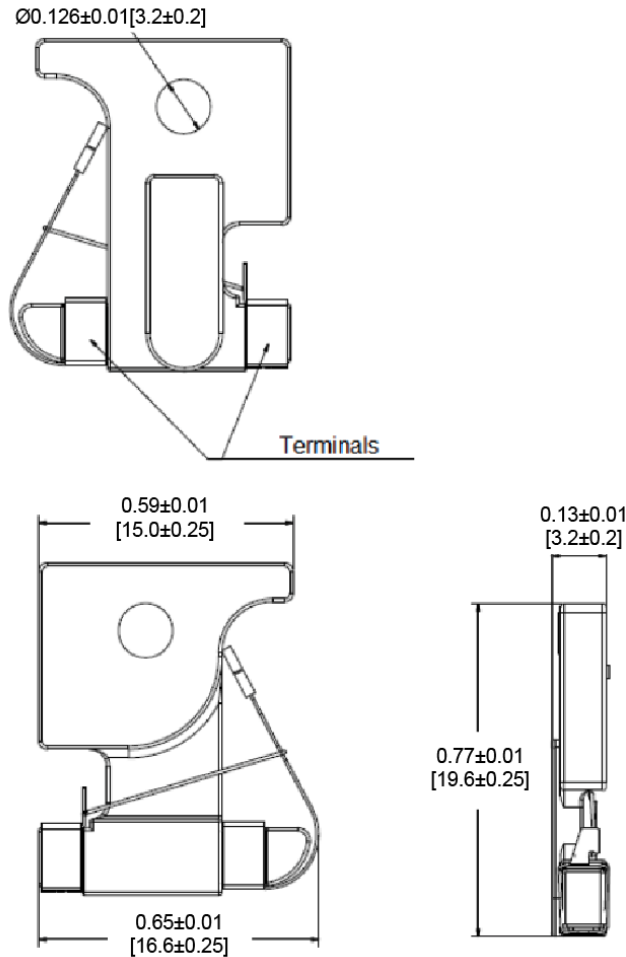


Mechanical Dimensions: Inches [mm]

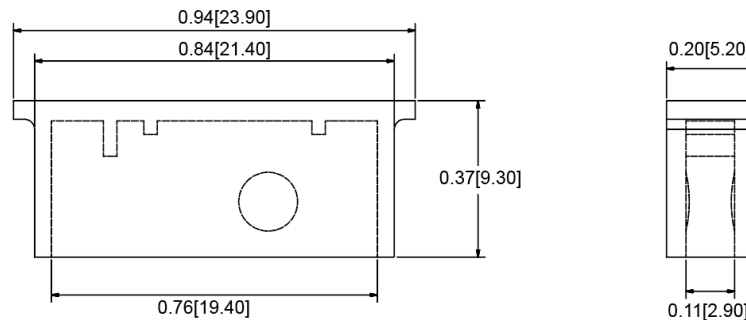
Body

Tolerances ± 0.01 [0.2] Unless Otherwise Specified



Cover

Tolerances ± 0.01 [0.2] Unless Otherwise Specified



Electrical Specifications

Voltage Rating	125VAC/VDC
Interrupting Capacity	300A @ 125VAC/VDC 450A @ 60VDC

Material Specifications

	Includes Insulating Cover (FPT-C)
Body Material	Black PPS (UL94V-0)
Terminal Material	Tin Plated Beryllium Copper
Cover Material	Transparent PC

Part Numbers Information

Part Number	Amperage	Color
FPT-180mA w/cover	180mA	Yellow
FPT-250mA w/cover	250mA	Violet
FPT-500mA w/cover	500mA	Red
FPT-650mA w/cover	650mA	Black
FPT-750mA w/cover	750mA	Brown
FPT-1A w/cover	1A	Gray
FPT-1.33A w/cover	1.33A	White
FPT-1.5A w/cover	1.5A	Yellow-White
FPT-2A w/cover	2A	Orange
FPT-2.5A w/cover	2.5A	Orange-White
FPT-3A w/cover	3A	Blue
FPT-3.5A w/cover	3.5A	Blue-White
FPT-4A w/cover	4A	Brown-White
FPT-5A w/cover	5A	Green
FPT-7.5A w/cover	7.5A	Black-White
FPT-10A w/cover	10A	Red-White
FPT-12A w/cover	12A	Green-Yellow
FPT-15A w/cover	15A	Red-Blue
FPT-20A w/cover	20A	Green-White
FPT-D w/cover	Dummy	Gray

Time vs Percent of Rated Current

% of Rated Current	Min Hold Time	Max Hold Time
100%	10min	-
150%	-	5min

Rev	Date of issue	Revision Notes	Designed	Approved
A	10-04-2023	Initial drawing	RC	OF