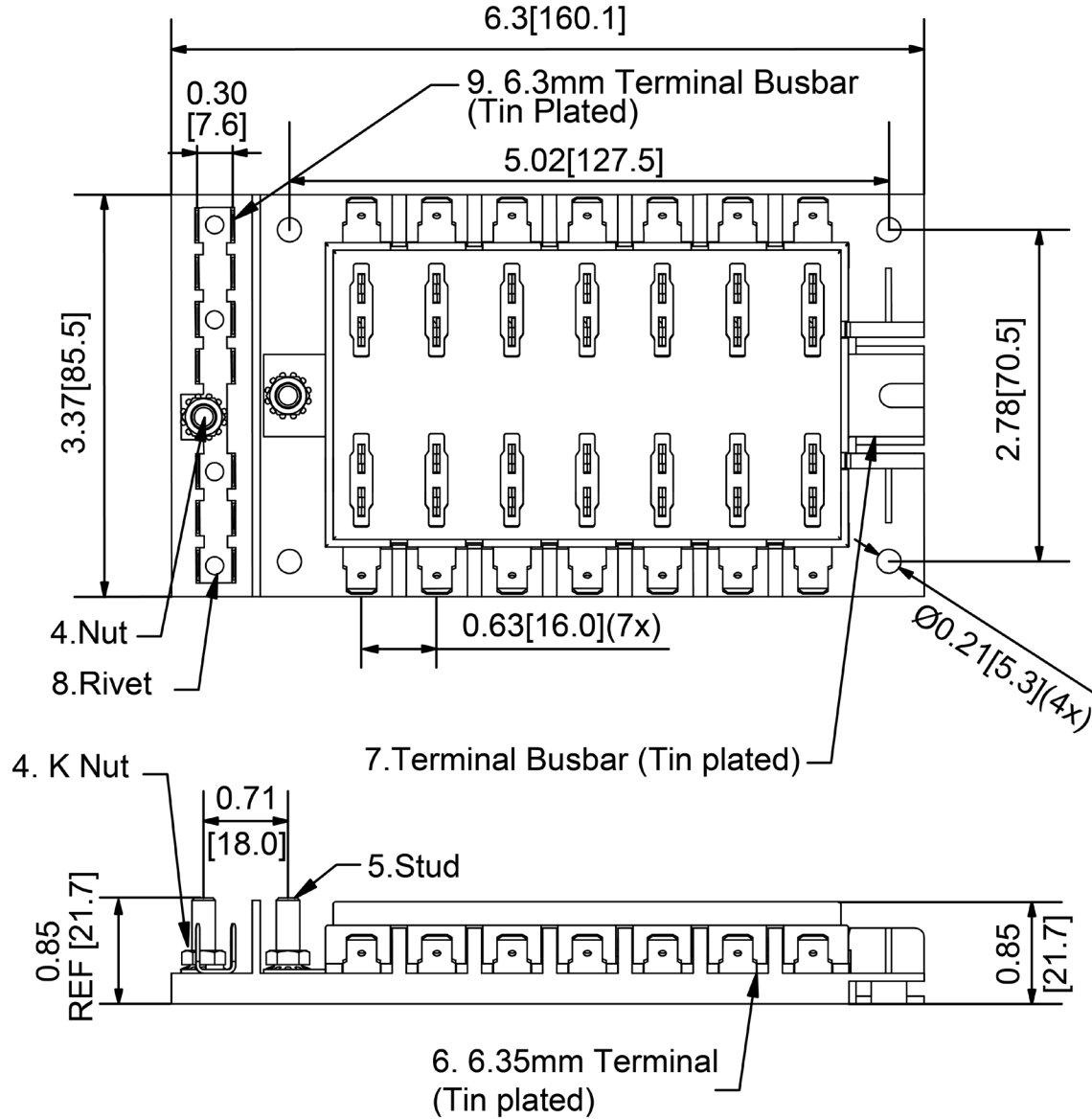


Mechanical Dimensions: Inches [mm]

Tolerances ± 0.012 [0.3] Unless Otherwise Specified



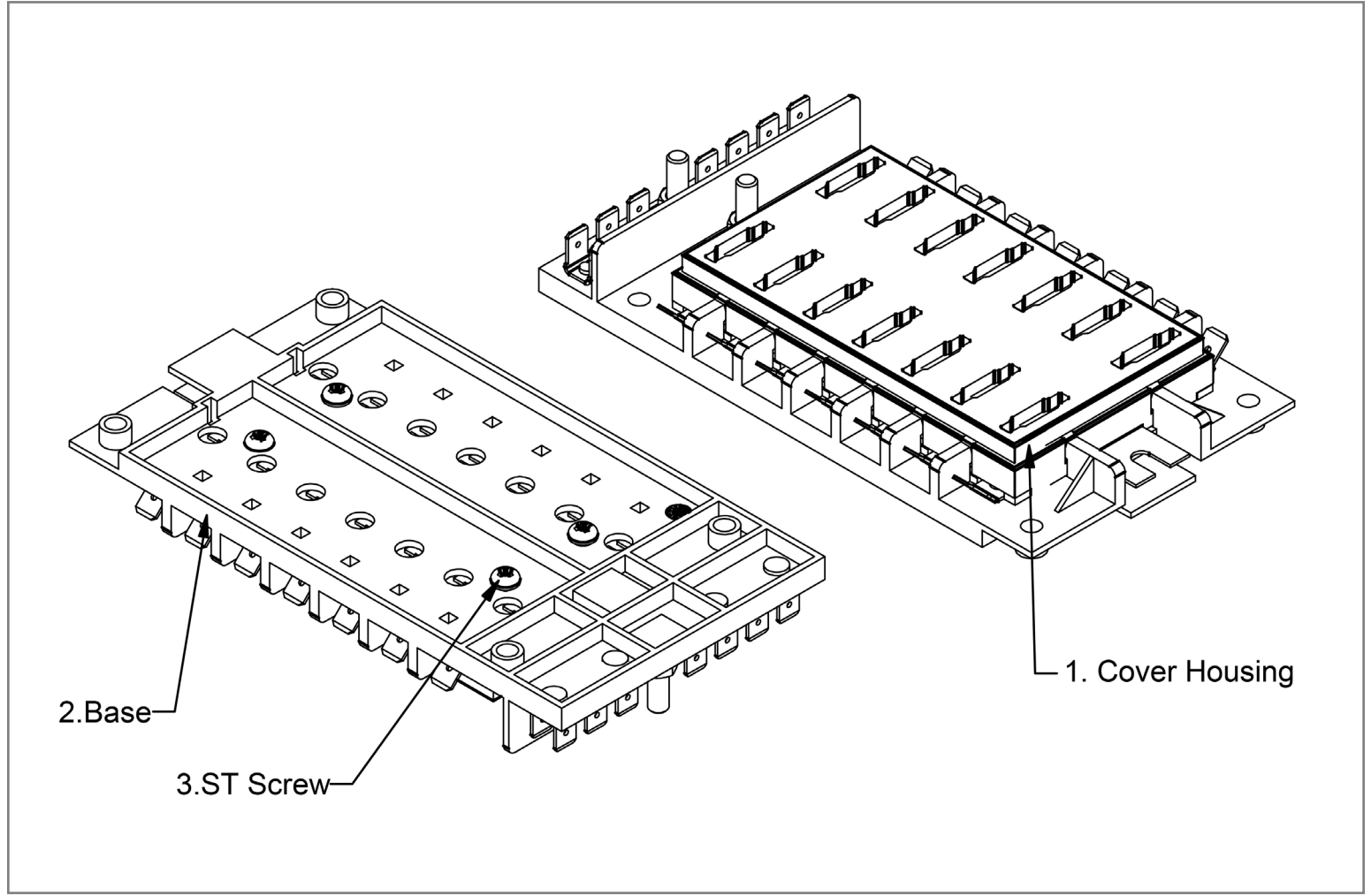
Electrical Specifications

Voltage Rating	80VDC
Current Rating (Combined Circuits)	160A
Current Rating (Max Input)	30A
Line Side Connection	M5 (#10) Studs
Load Side Connection	0.25" Quick Connect
Temperature Rating	-40°C~125°C

Material Specifications

14 Circuits with Ground Bus	
Body Material Rating	UL94V-0
Torque Rating	5 Nm MAX
Accepts Regular (ATO/ATC Style) Blade Fuses	

Isometric View



Rev	Date of issue	Revision Notes	Designed	Approved
C	05-16-2024	Updated Drawings	RC	OF