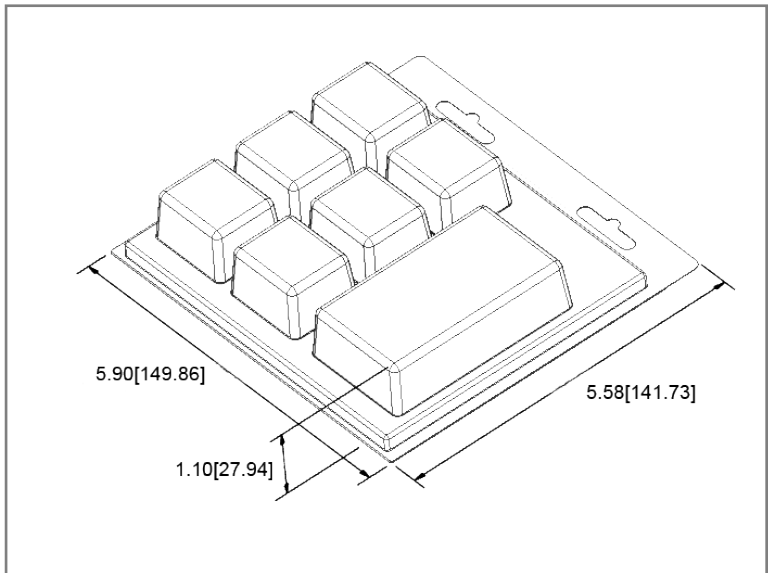


Kit Contents

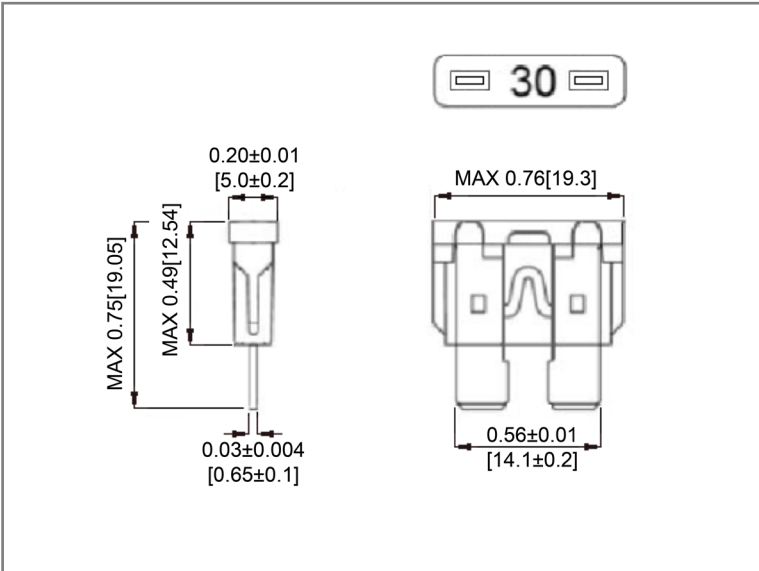
Fuse Style	Optifuse P/N	Amperage	Quantity
Regular (ATO/ATC Style) Blade Fuse	ANR-10A	10A	10
Regular (ATO/ATC Style) Blade Fuse	ANR-15A	15A	10
Regular (ATO/ATC Style) Blade Fuse	ANR-20A	20A	10
Regular (ATO/ATC Style) Blade Fuse	ANR-30A	30A	10
Maxi Style Blade Fuse	ANX-30A	30A	2
Maxi Style Blade Fuse	ANX-40A	40A	1
Maxi Style Blade Fuse	ANX-50A	50A	1
Fuse Puller and Tester	PUL-08	-	1

Retail Pack: Inches [mm]

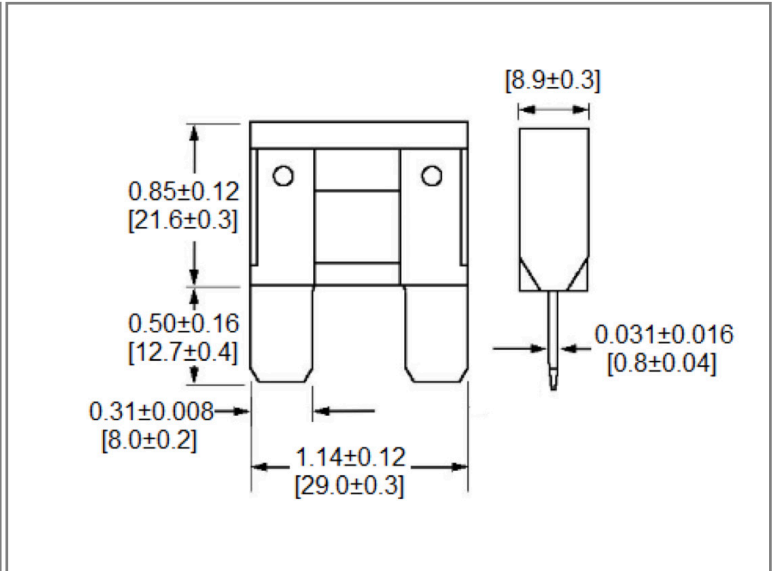


Mechanical Dimensions: Inches [mm]

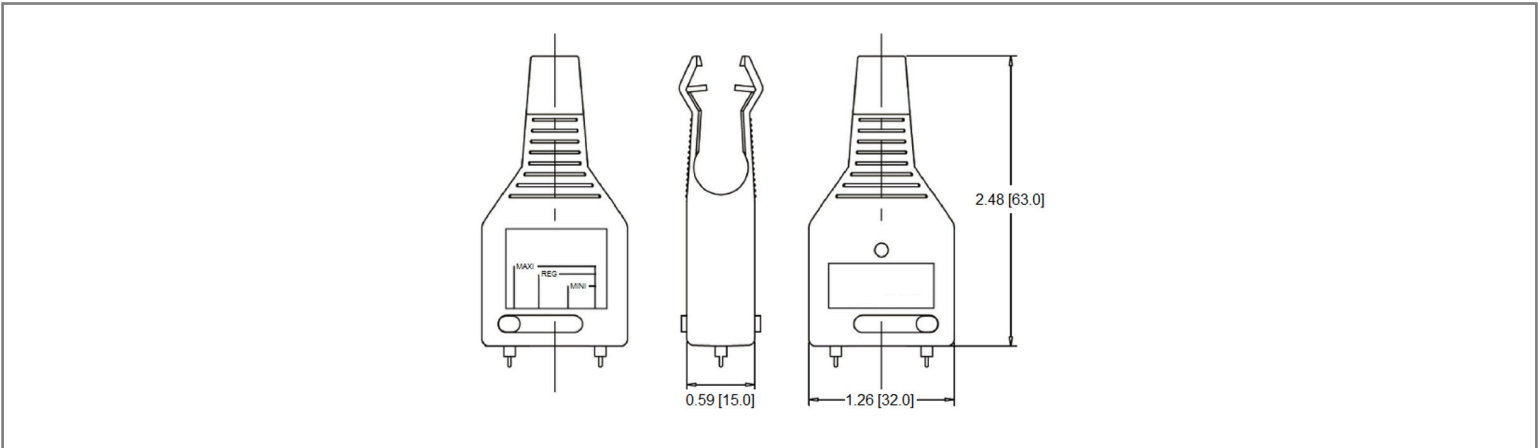
ANR



ANX



PUL-08



Rev Date of issue Revision Notes

Rev	Date of issue	Revision Notes	Designed	Approved
A	07-07-2023	Initial Drawing	RC	OF