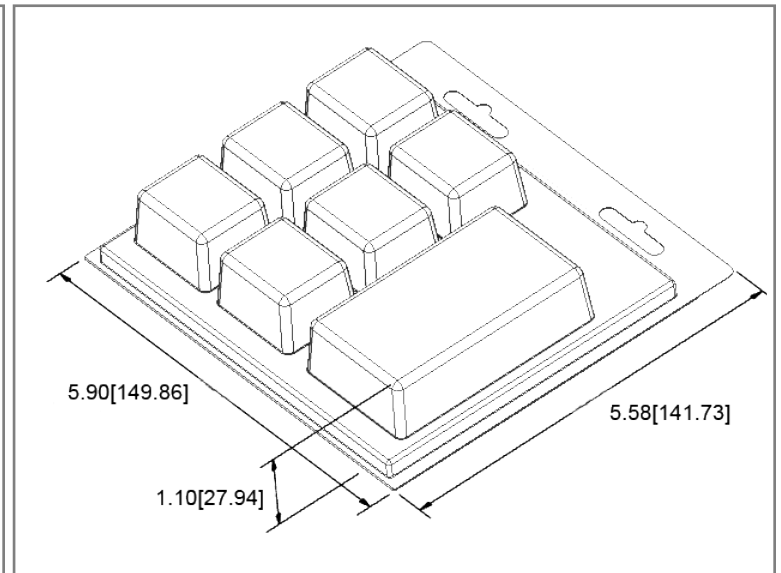


Kit Contents

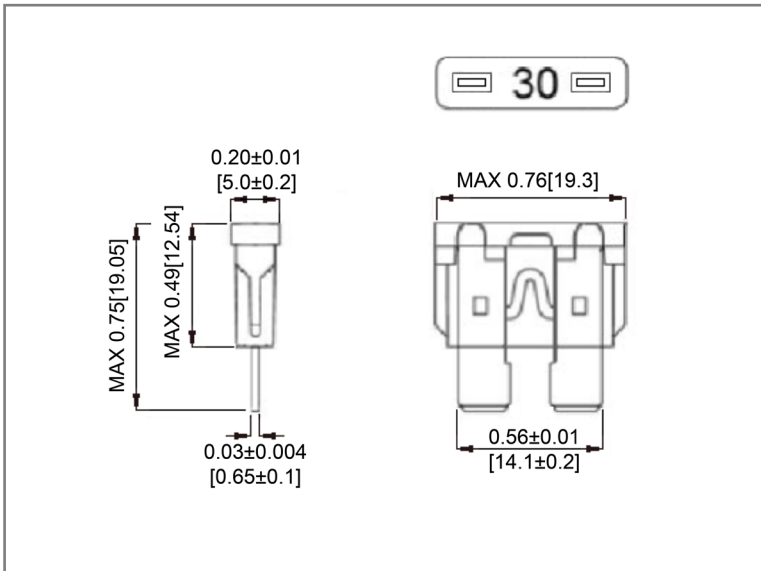
Fuse Style	Optifuse P/N	Amperage	Quantity
Regular (ATO/ATC Style) Blade Fuse	ANR-5A	5A	7
Regular (ATO/ATC Style) Blade Fuse	ANR-10A	10A	7
Regular (ATO/ATC Style) Blade Fuse	ANR-15A	15A	7
Regular (ATO/ATC Style) Blade Fuse	ANR-20A	20A	7
Regular (ATO/ATC Style) Blade Fuse	ANR-25A	25A	7
Regular (ATO/ATC Style) Blade Fuse	ANR-30A	30A	7
Fuse Puller and Tester	PUL-08	-	1

Retail Pack: Inches [mm]

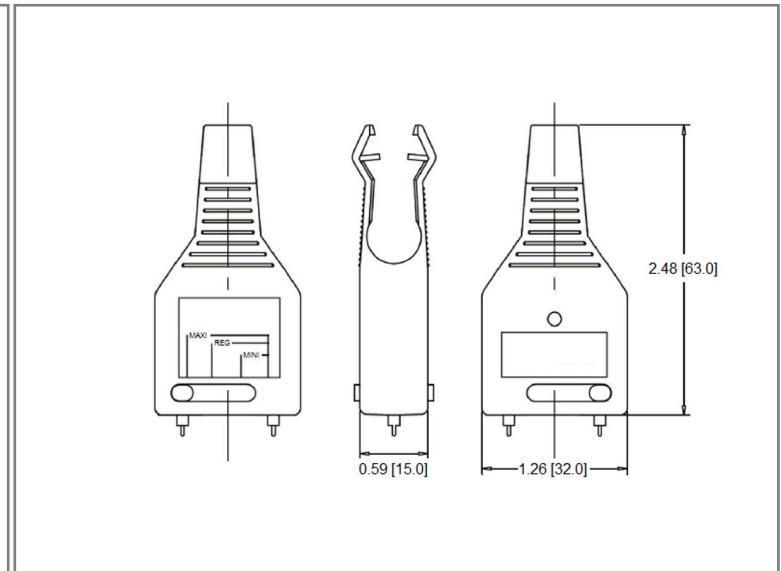


Mechanical Dimensions: Inches [mm]

ANR



PUL-08



Rev Date of issue Revision Notes

A	07-07-2023	Initial Drawing	RC	OF
---	------------	-----------------	----	----

Designed Approved