

Regular Style Blade Fuse Assortment Pack - 9 PCS

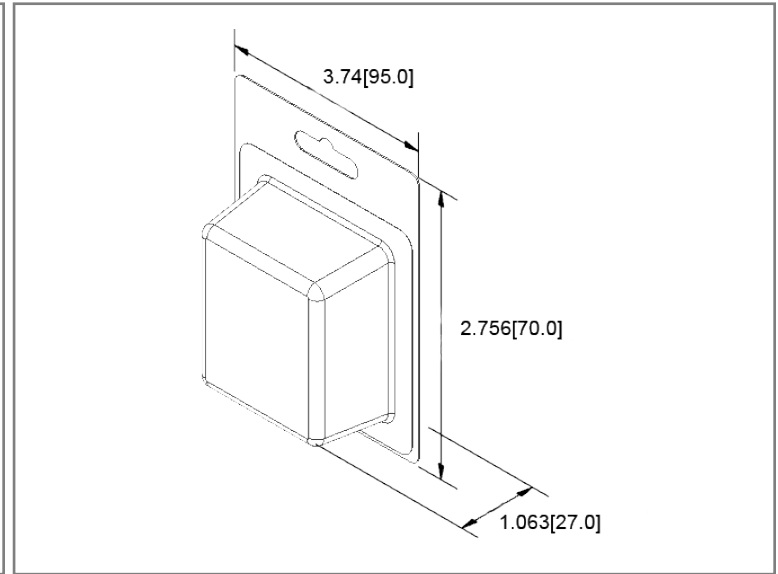
ANR-8P-BP



Kit Contents

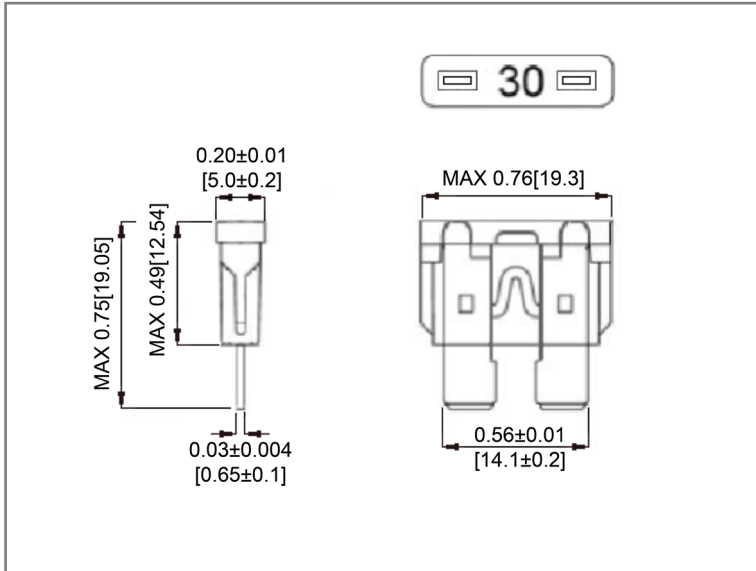
Fuse Style	Optifuse P/N	Amperage	Quantity
Regular (ATO/ATC Style) Blade Fuse	ANR-10A	10A	1
Regular (ATO/ATC Style) Blade Fuse	ANR-15A	15A	2
Regular (ATO/ATC Style) Blade Fuse	ANR-20A	20A	2
Regular (ATO/ATC Style) Blade Fuse	ANR-25A	25A	1
Regular (ATO/ATC Style) Blade Fuse	ANR-30A	30A	1
Regular (ATO/ATC Style) Blade Fuse	ANR-40A	40A	1
Fuse Puller	PUL-07	-	1

Retail Pack: Inches [mm]

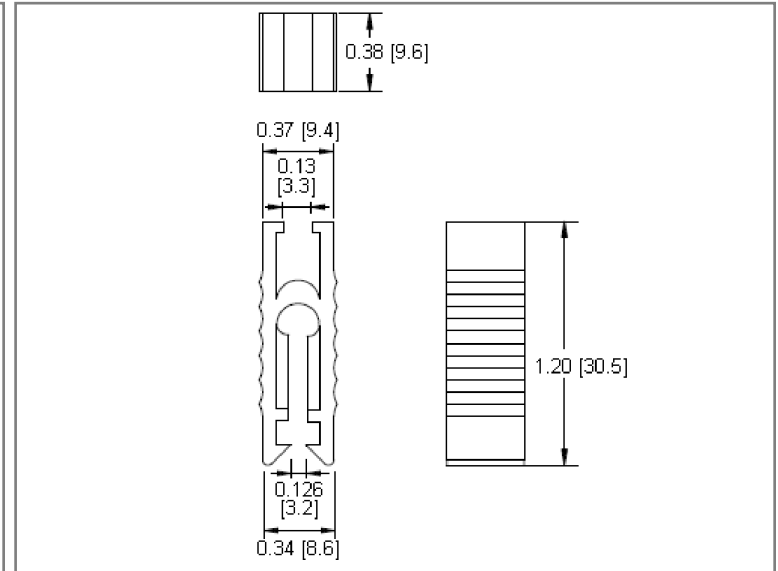


Mechanical Dimensions: Inches [mm]

ANR



PUL-07



Rev Date of issue Revision Notes

A	07-07-2023	Initial Drawing	RC	OF
---	------------	-----------------	----	----

Designed Approved