

Regular Style Blade Fuse Assortment Pack - 8 PCS

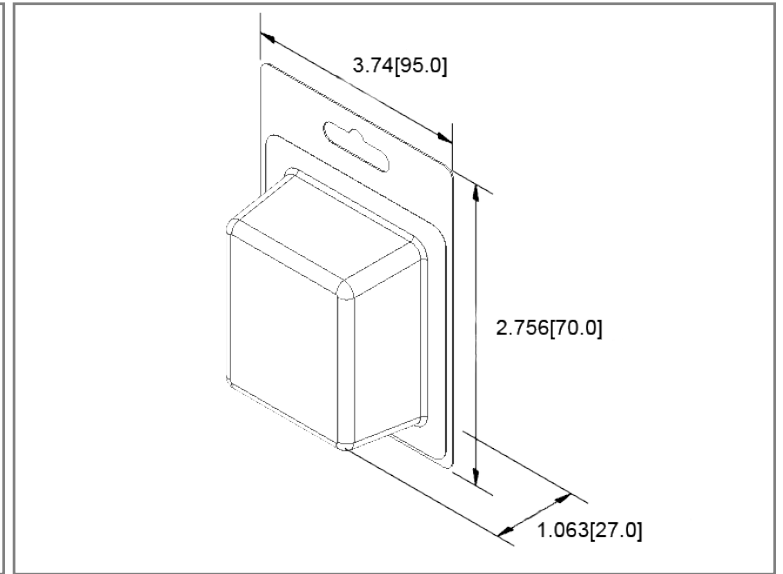
ANR-8L-BP



Kit Contents

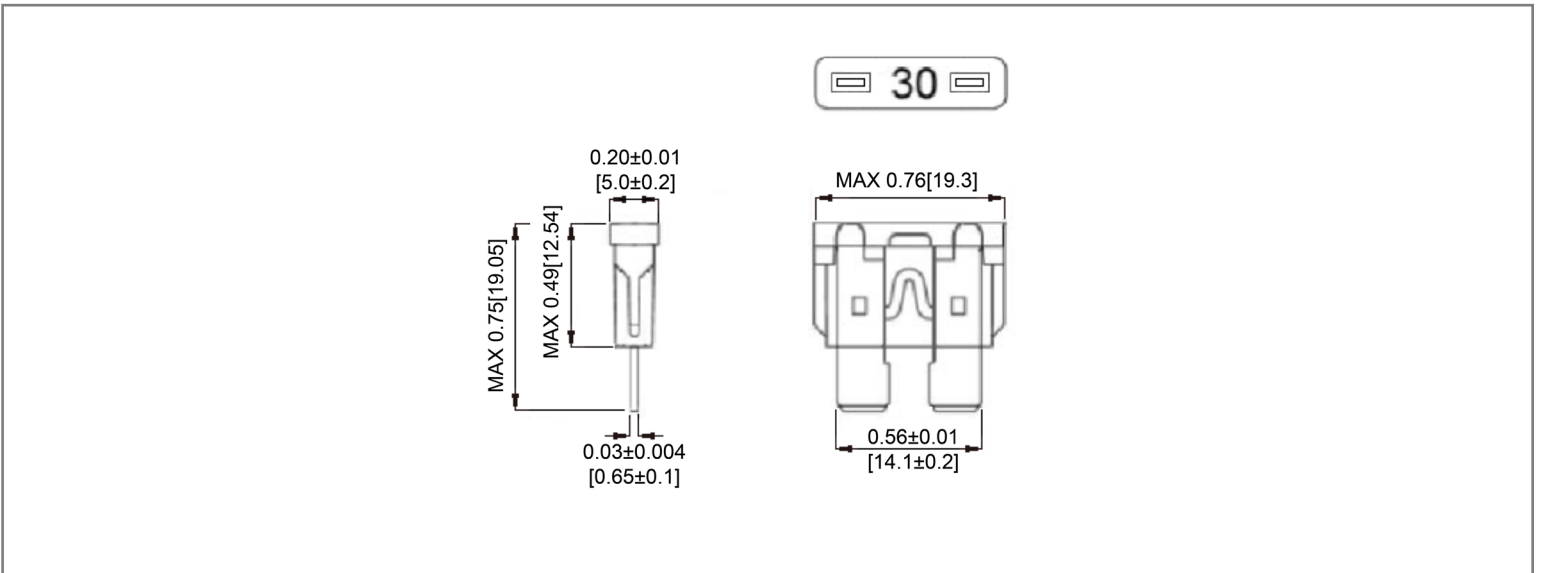
Fuse Style	Optifuse P/N	Amperage	Quantity
Regular (ATO/ATC Style) Blade Fuse	ANR-1A	1A	1
Regular (ATO/ATC Style) Blade Fuse	ANR-2A	2A	1
Regular (ATO/ATC Style) Blade Fuse	ANR-3A	3A	1
Regular (ATO/ATC Style) Blade Fuse	ANR-4A	4A	1
Regular (ATO/ATC Style) Blade Fuse	ANR-5A	5A	2
Regular (ATO/ATC Style) Blade Fuse	ANR-7.5A	7.5A	2

Retail Pack: Inches [mm]



Mechanical Dimensions: Inches [mm]

ANR



Rev Date of issue Revision Notes

Designed Approved

A	07-07-2023	Initial Drawing	RC	OF
---	------------	-----------------	----	----