

Regular Style Blade Fuse Assortment Pack - 7 PCS

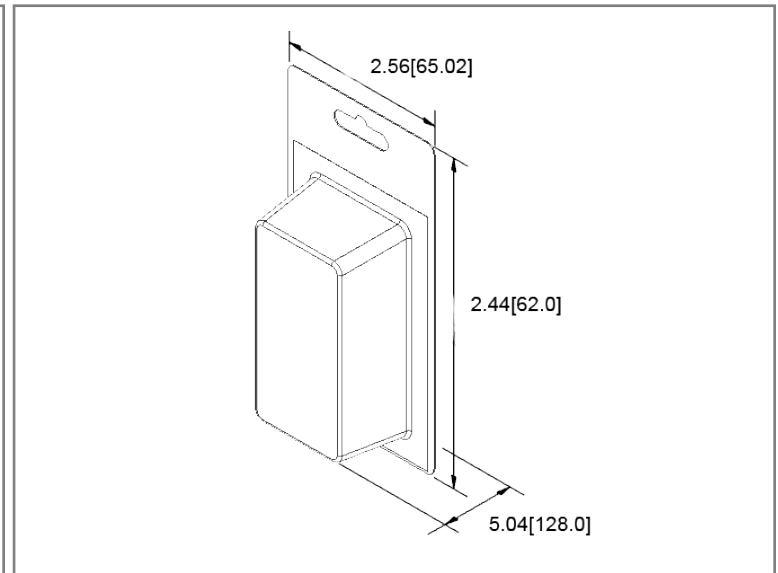
ANR-6T-BP



Kit Contents

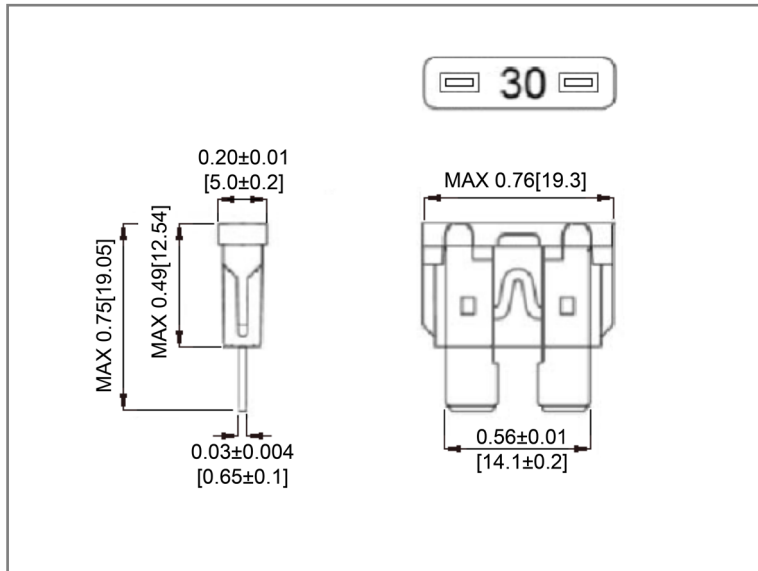
Fuse Style	Optifuse P/N	Amperage	Quantity
Regular (ATO/ATC Style) Blade Fuse	ANR-5A	5A	1
Regular (ATO/ATC Style) Blade Fuse	ANR-10A	10A	1
Regular (ATO/ATC Style) Blade Fuse	ANR-15A	15A	1
Regular (ATO/ATC Style) Blade Fuse	ANR-20A	20A	1
Regular (ATO/ATC Style) Blade Fuse	ANR-25A	25A	1
Regular (ATO/ATC Style) Blade Fuse	ANR-30A	30A	1
Fuse Puller	PUL-08	-	1

Retail Pack: Inches [mm]

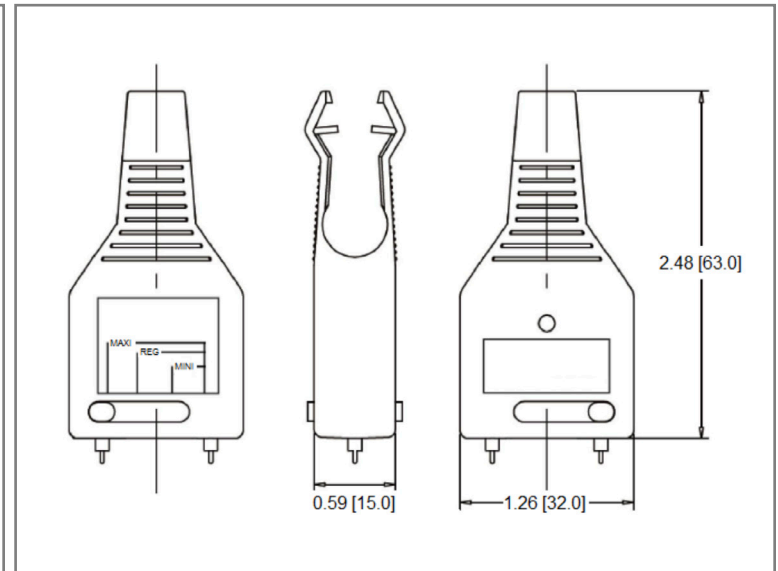


Mechanical Dimensions: Inches [mm]

ANR



PUL-08



Rev Date of issue Revision Notes

A	12-12-2023	Initial Drawing	RC	OF
---	------------	-----------------	----	----

Designed Approved