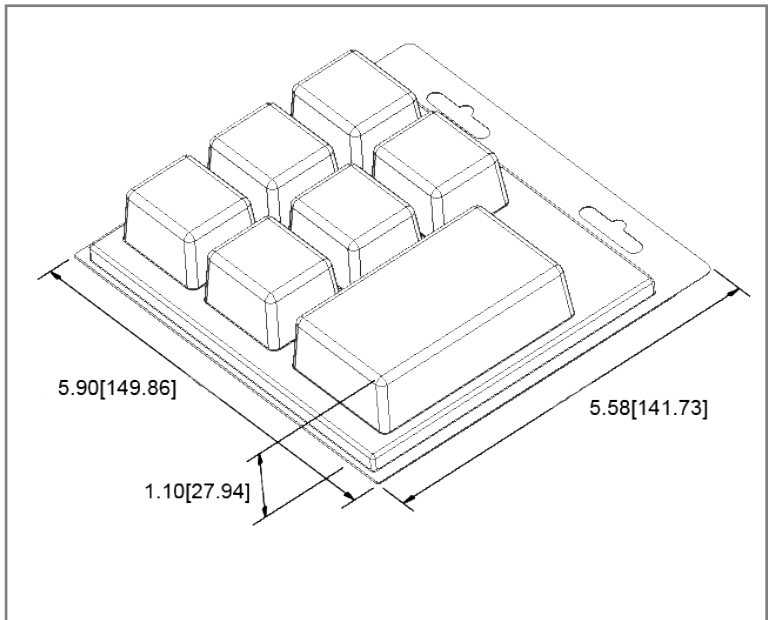


Kit Contents

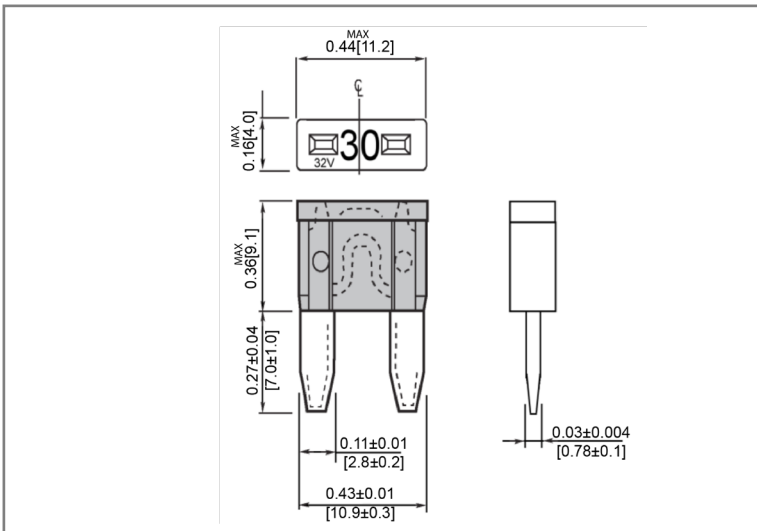
Fuse Style	Optifuse P/N	Amperage	Quantity
Miniature Style Blade Fuse	ANM-2A	2A	10
Miniature Style Blade Fuse	ANM-3A	3A	10
Miniature Style Blade Fuse	ANM-4A	4A	10
Miniature Style Blade Fuse	ANM-5A	5A	10
Miniature Style Blade Fuse	ANM-7.5A	7.5A	10
Miniature Style Blade Fuse	ANM-10A	10A	10
Miniature Style Blade Fuse	ANM-15A	15A	10
Miniature Style Blade Fuse	ANM-20A	20A	10
Miniature Style Blade Fuse	ANM-25A	25A	10
Miniature Style Blade Fuse	ANM-30A	30A	10
Maxi Style Blade Fuse	ANX-40A	40A	10
Maxi Style Blade Fuse	ANX-50A	50A	10
Fuse Puller and Tester	PUL-08	-	10

Retail Pack: Inches [mm]

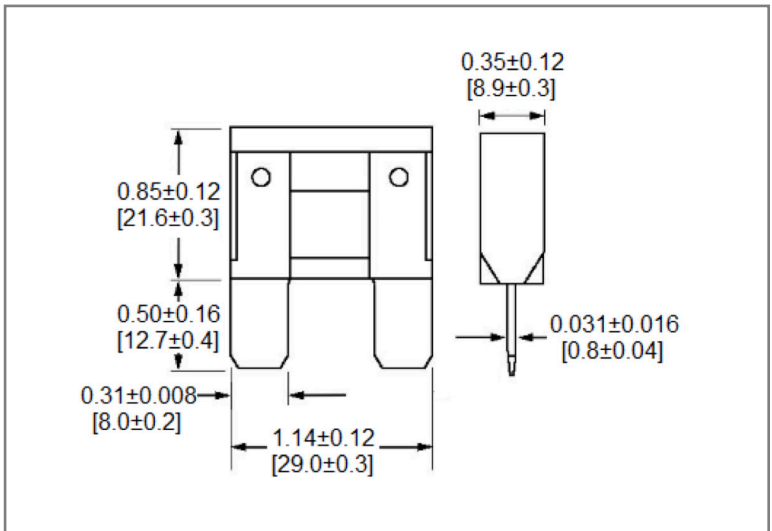


Mechanical Dimensions: Inches [mm]

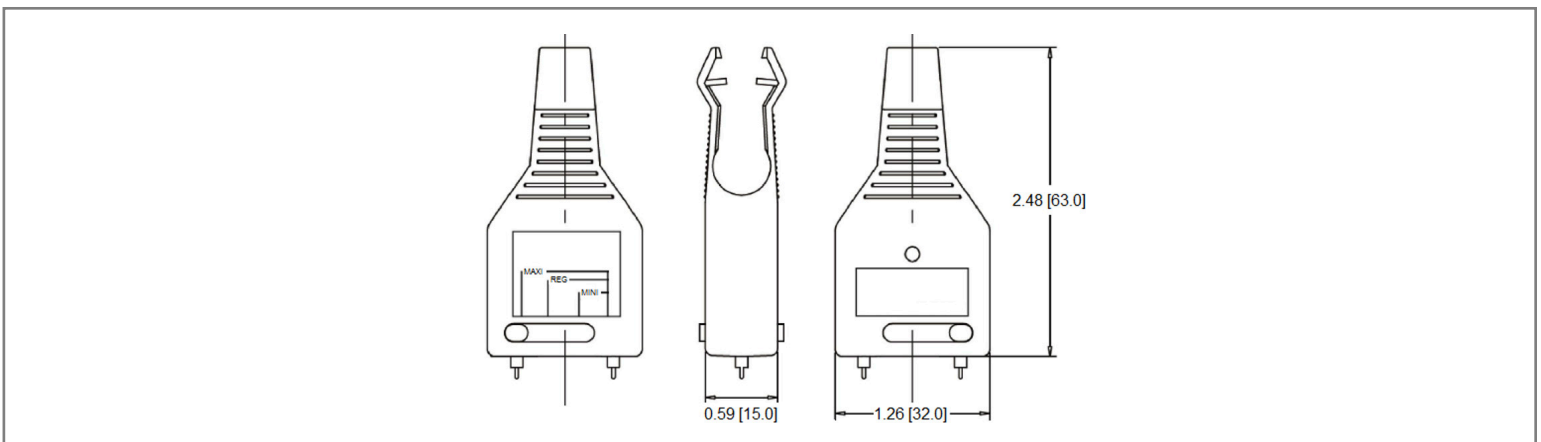
ANM



ANX



PUL-08



Rev Date of issue Revision Notes

Rev	Date of issue	Revision Notes	Designed	Approved
A	07-07-2023	Initial Drawing	RC	OF