

Type TFLD

Automotive Fuse Link

9/16" Axial Male Terminal

(Short Lead)



www.optifuse.com

(619) 593-5050

Specifications:

Voltage: 32VDC

Amperage: 20A, 30A, 40A, 50A, 60A, 70A, 80A, 100A, 120A

Interrupting Rating: 5,000A @ 32 VAC

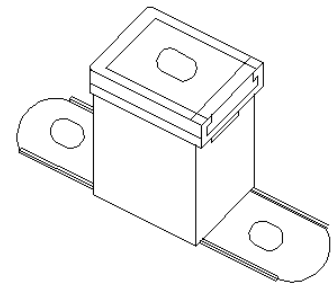
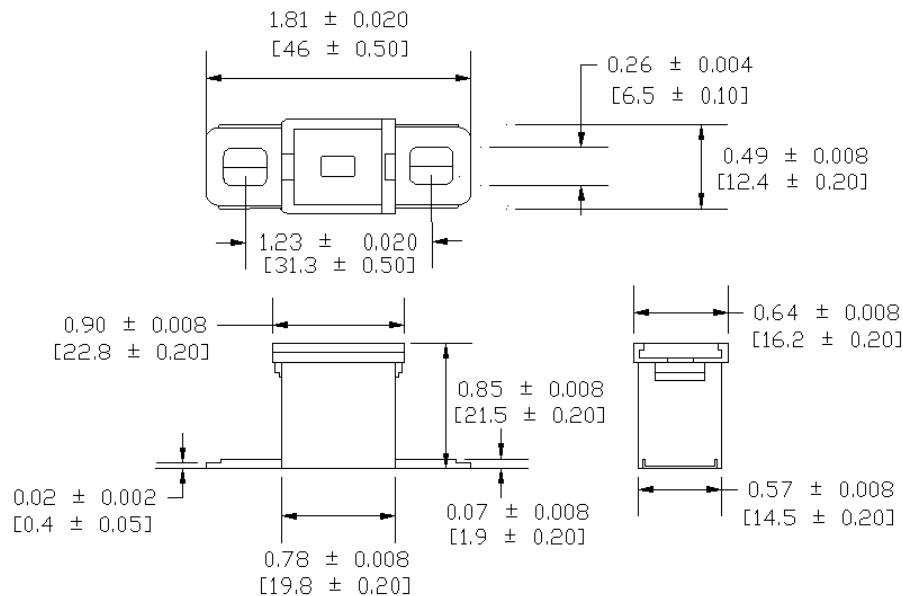
Agency Standards and Listings:

JASO D612-4:2001

Time Characteristics		
% of rated current	Min hold time	Max hold time
110%	4h	
200%	5s	100s
350%	200ms	7s
600%	40ms	1s

Part Number	Ampere Rating	Housing Color
TFLD-20A	20A	Light-Blue
TFLD-30A	30A	Pink
TFLD-40A	40A	Green
TFLD-50A	50A	Red
TFLD-60A	60A	Yellow
TFLD-70A	70A	Brown
TFLD-80A	80A	Black
TFLD-100A	100A	Blue
TFLD-120A	120A	White

Mechanical Dimensions: Inches [mm]



Warning:



-Operation beyond the specified maximum ratings or improper use may result in damage and possible electrical arcing and/or flame.

-Avoid contact of device with chemical solvent. Prolonged contact will damage the device performance.