

**Type LPA-07**  
**In-Line Fuse Holder**  
**1/4" x 1 1/4" (6.3 x 32mm) Fuses**



www.optifuse.com (619) 593-5050

**Ratings:**

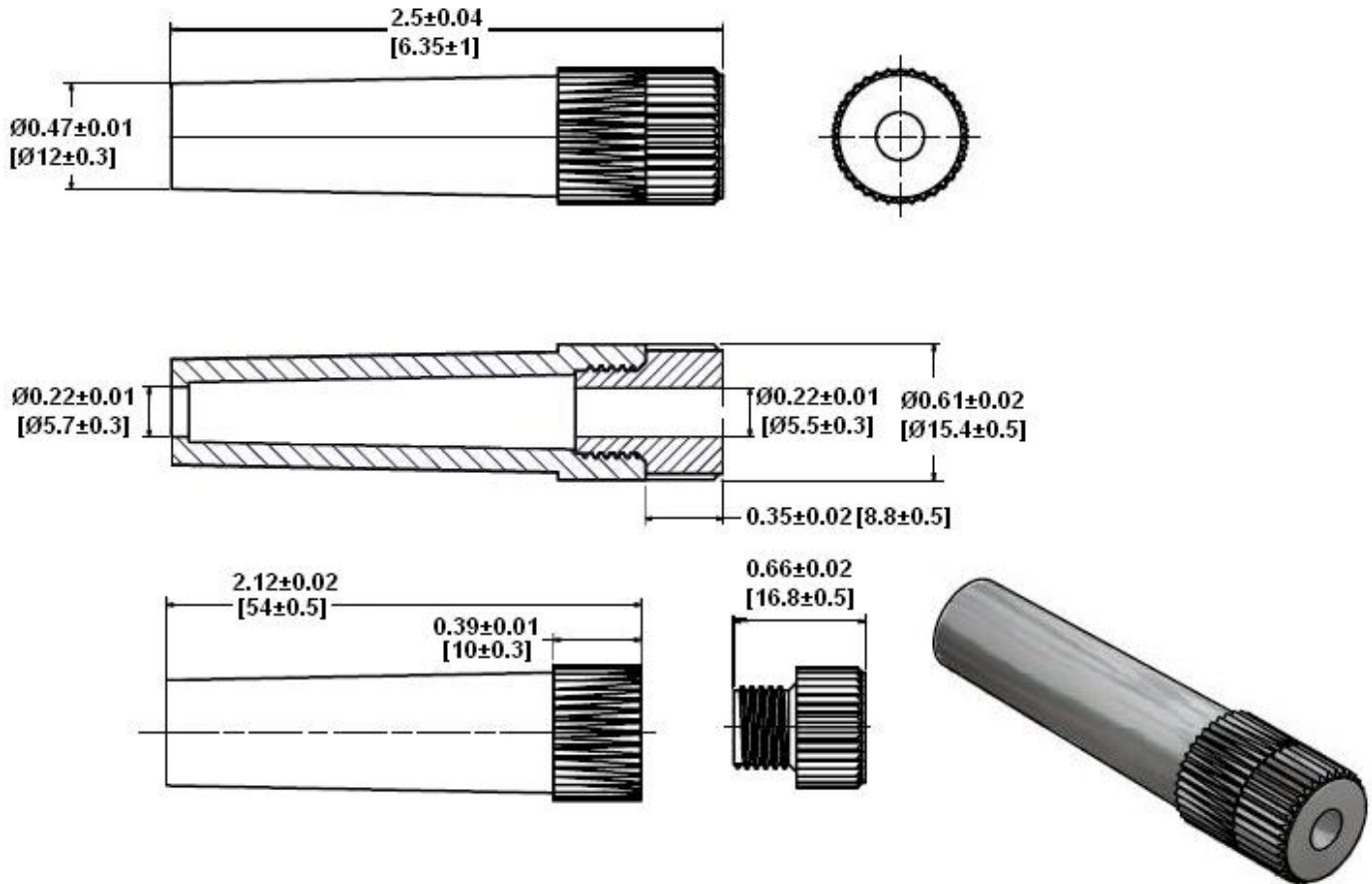
- Fuse Type:** 1/4" x 1 1/4" (6.3 x 32mm)
- Electrical Rating:** 30A 32VDC
- Body:** Bakelite
- Contacts:** Brass
- Standard Wire Sizes:** #10 ~ #20 AWG
- Standard Wire Colors:** Red
- Standard Body colors:** Black
- Standard Wire Length:** 4 inches

Available in various wire gauges, lengths and colors.  
 Contact factory for those not listed above.

**Part number format**

**LPA-07B-##R**  
 where ## = Wire gauge

**Mechanical Dimensions: Inches [mm]**



**Warning:**



-Operation beyond the specified maximum ratings or improper use may result in damage and possible electrical arcing and/or flame.

-Avoid contact of device with chemical solvent. Prolonged contact may damage the device performance.