

Type K10B Thermal Cutoff (Temperature rated Fuse) 10 Amp Axial Leaded



www.optifuse.com (619) 593-5050

Ratings:

Ampere Rating: 10A Axial Leaded
Voltage Rating: 250V AC

Agency Standards and Listings:



Part Number	(A) Rated Funct. Temp. T _F ·T _r (°C)	(B) Cut-Off Temp. (°C)	(C) Holding Temp. T _H ·T _h ·T _C (°C)	(D) Max. Temp Limit T _M ·T _m (°C)	Electrical Ratings					
					Current I _r (A)	Voltage U _r (V)				
K10B-066	66	64±2	42	130	10A	250V			•	
K10B-072	72	70±2	45	150	10A	250V	•	•		
K10B-077	77	75±2	55	120	10A	250V	•	•	•	•
K10B-084	84	80±2	60	125	10A	250V			•	
K10B-093	93	90±2	66	150	10A	250V	•			
K10B-094	94	92±2	66	150	10A	250V	•	•		•
K10B-099	99	97±2	71	150	10A	250V	•	•	•	•
K10B-105	105	103±2	80	150	10A	250V			•	
K10B-110	110	108±2	84	140	10A	250V	•	•	•	
K10B-113	113	108±2	88	150	10A	250V			•	•
K10B-121	121	119±2	94	150	10A	250V			•	•
K10B-128	128	126±2	106	155	10A	250V	•	•	•	•
K10B-133	133	131±2	104	159	10A	250V	•	•	•	
K10B-139	139	137±2	117	170	10A	250V			•	•
K10B-142	142	140±2	114	159	10A	250V	•	•	•	•
K10B-152	152	149±2	128	176	10A	250V	•	•	•	•
K10B-157	157	154±2	127	172	10A	250V	•	•	•	
K10B-167	167	165±2	146	190	10A	250V	•	•	•	
K10B-172	172	170±2	144	189	10A	250V			•	
K10B-184	184	182±2	160	214	10A	250V		•	•	•
K10B-192	192	189±2	164	300	10A	250V	•	•	•	
K10B-198	198	196±2	170	250	10A	250V			•	
K10B-216	216	213±2	189	350	10A	250V		•	•	•
K10B-228	228	225±2	190	300	10A	250V	•	•	•	
K10B-240	240	234±2	190	350	10A	250V	•	•	•	•

Term Explanation:

(A) - **Rated Functioning Temp** = (T_F · T_r) -The temperature at which a thermal cutoff changes its state of conductivity to open a circuit with detection current of 10mA or less as the only load. The temperature tolerance is +0, -10°C.

(B) - **Cut-off Temp.** = Is the actual operating temp. range when the thermal cut-off is made to operate inside a constant temp. oven whose temp. is raised at the rate of 0.5 to 1°C/min, while a detection current of 10mA or lower is applied.

(C) - **Holding Temp** = (T_H·T_h·T_C) -The maximum temp. at which a thermal cut-off can be maintained while conducting rated current for 168 hours without functioning.

(D) - **Maximum Temp. Limit** = (T_M · T_m) -The maximum temp at which mechanical and electrical properties of a thermal cut-off can be maintained for 10 minutes without resuming conductivity after functioning.

Rated Current = (I_r) -Rated current is the maximum current that thermal cut-offs allow to carry and are able to cut-off the circuit in safety.

Rated Voltage = (U_r) -Rated voltage is the maximum voltage that is allowed to apply to the circuit in which the thermal cut-off is used.

Note: All specifications subject to change without notice.

Rev D 11/2020 - Page: 1/2
Code H01-01H

**Type K10B
Thermal Cutoff
(Temperature rated Fuse)
10 Amp Axial Leaded**



www.optifuse.com

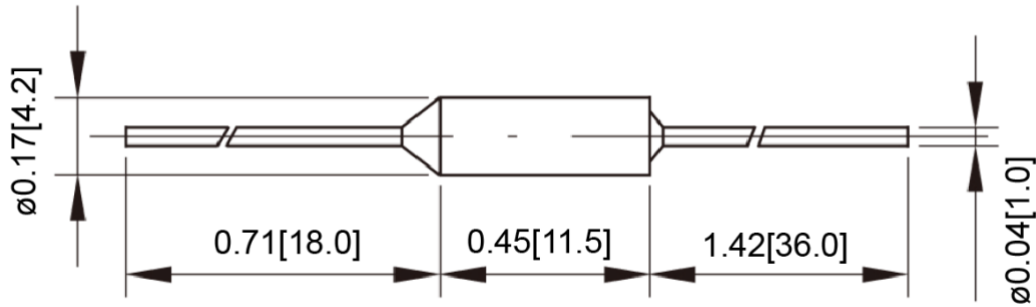
(619) 593-5050

Material:

Body: Silver plated Brass

Lead Wires: Tin plated Copper

Mechanical Dimensions: Inches [mm]



Warning:



-Operation beyond the specified maximum ratings or improper use may result in damage and possible electrical arcing and/or flame.
-Device are intended for occasional overcurrent protection. Application for repeated overcurrent condition and/or prolonged trip are not anticipated.
-Avoid contact of device with chemical solvent. Prolonged contact will damage the device performance.