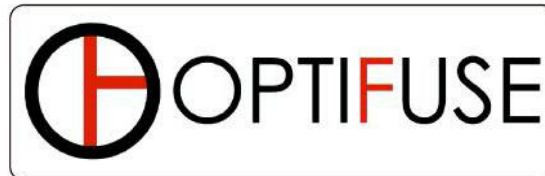


Type APR

Automotive Blade Fuse

Standard



www.optifuse.com (619) 593-5050

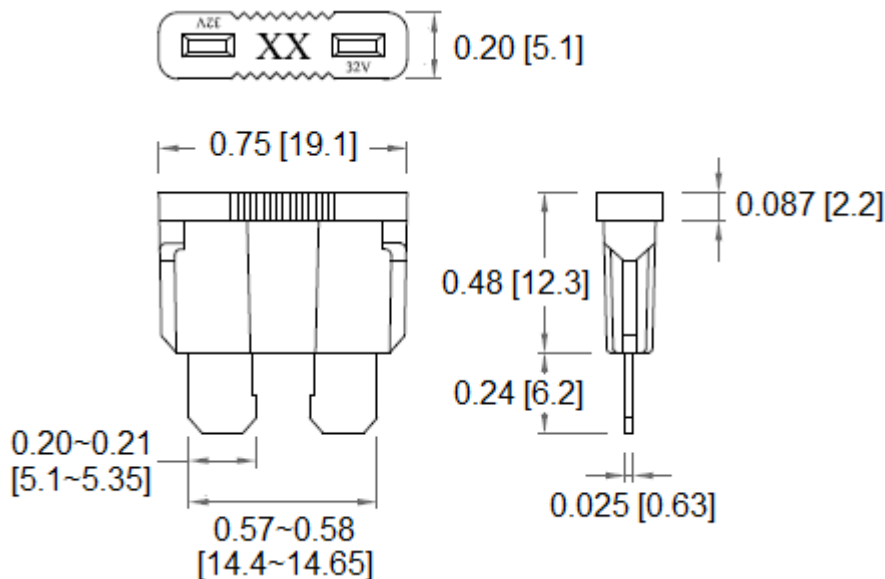
Specifications:

- Voltage: 32V DC
- Amperage: 1A, 2A, 3A, 4A, 5A, 7.5A, 10A, 12A, 15A, 20A, 25A, 30A, 35A, 40A
- Designed to meet SAE J1284 and ISO 8820-3 Standards (except APR-12A – a new Amperage)

Part Number	Amperage	Body Color
APR-1A	1A	Black
APR-2A	2A	Gray
APR-3A	3A	Violet
APR-4A	4A	Pink
APR-5A	5A	Tan
APR-7.5A	7.5A	Brown
APR-10A	10A	Red
APR-12A	12A	Light Pink
APR-15A	15A	Blue
APR-20A	20A	Yellow
APR-25A	25A	Clear
APR-30A	30A	Green
APR-35A	35A	Blue Green
APR-40A	40A	Orange

Time Characteristics:		
% of Rated Current	Min Hold Time	Max Hold Time
110%	100h	
135%	750ms	1800s
200%	150ms	5s
350%	40ms	500 ms
600%	20ms	100ms

Mechanical Dimensions: Inches [mm]



Warning:



-Operation beyond the specified maximum ratings or improper use may result in damage and possible electrical arcing and/or flame.

-Avoid contact of device with chemical solvent. Prolonged contact will damage the device performance.

Type APR Automotive Blade Fuse Standard



www.optifuse.com

(619) 593-5050

Time Current Curve Graph

