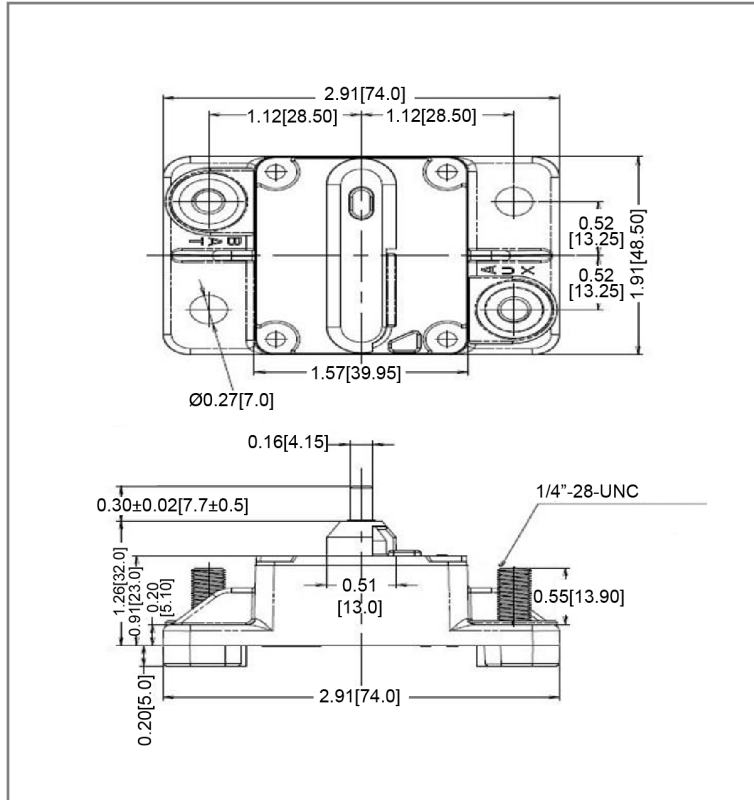


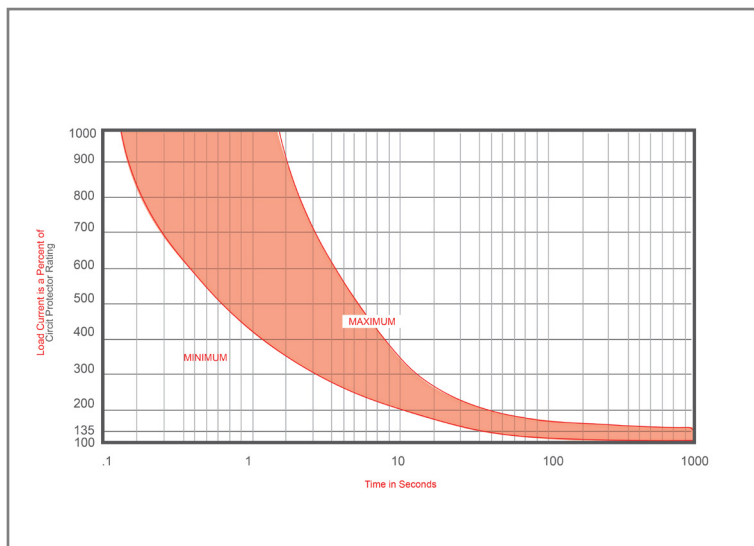
Mechanical Dimensions: Inches [mm]



Part Numbers Information

| Optifuse P/N | Current |
|--------------|---------|
| 153025 | 25A |
| 153030 | 30A |
| 153040 | 40A |
| 153050 | 50A |
| 153060 | 60A |
| 153070 | 70A |
| 153080 | 80A |
| 153090 | 90A |
| 153100 | 100A |
| 153120 | 120A |
| 153135 | 135A |
| 153150 | 150A |
| 153180 | 180A |
| 153200 | 200A |

Time vs. Percent of Rated Current



| % of Rated Current | Min Hold Time | Max Hold Time |
|--------------------|-------------------------|---------------|
| 100% | No Trip (≥ 30 Minutes) | |
| 135% | 50s | 30m |
| 200% | 12s | 45s |
| 300% | 3.5s | 15s |

Trip time: Ambient temperature 25°C ± 3°C

Electrical Specifications

| | |
|-----------------------|---|
| Voltage Rating | 42VDC (50A-150A 32VDC) |
| Reset Type | Type III - Manual Reset |
| Interrupting Rating | 3000A @ 30VDC |
| Operation Temperature | -25° F ~ 180° F |
| Compliances | SAE J1625, SAE J1171, UL1500, IEC 60934 |

Material Specifications

| | |
|---------------------------------------|-----------------------------|
| High Amp - Waterproof Circuit Breaker | |
| Body Material | Thermoset Plastic (UL94V-0) |
| Terminals Configuration | 1/4"-28 Stud |
| Mounting Type | Surface Mount |
| IP67 | |

Rev **Date of issue** **Revision Notes**

Designed **Approved**

| | | | | |
|---|------------|-----------------|----|----|
| A | 06-29-2020 | Initial Drawing | RC | OF |
|---|------------|-----------------|----|----|